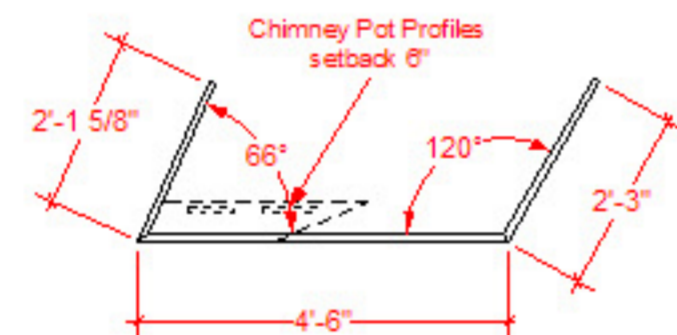


SR

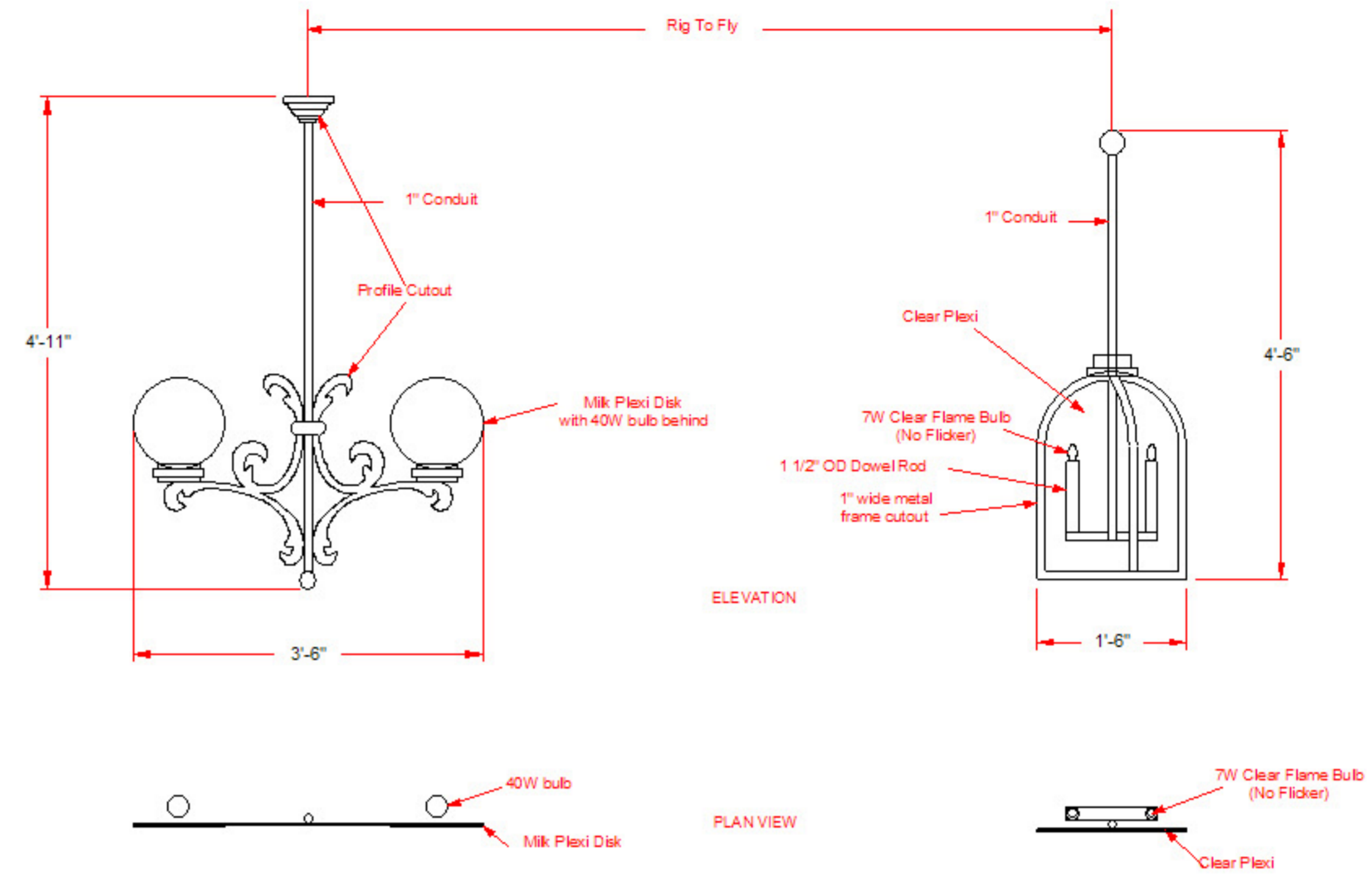


SL

**CHIMNEY PROFILES**

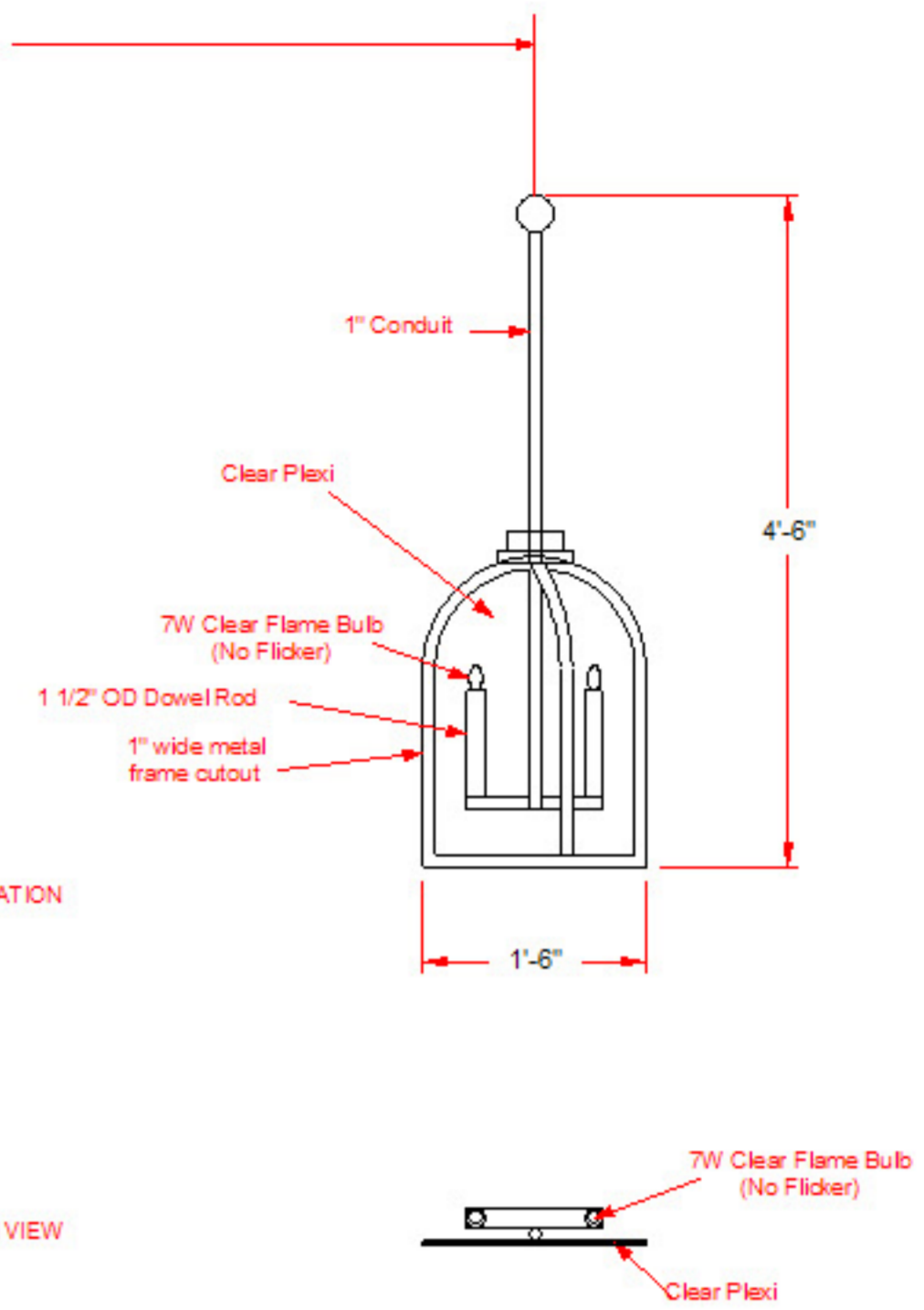
LIGHT TEXTURE IN SOME AREAS  
BRICKS HAVE NO TEXTURE AND ARE PAINT DETAIL

**SCALE: 1/2" = 1'-0"**

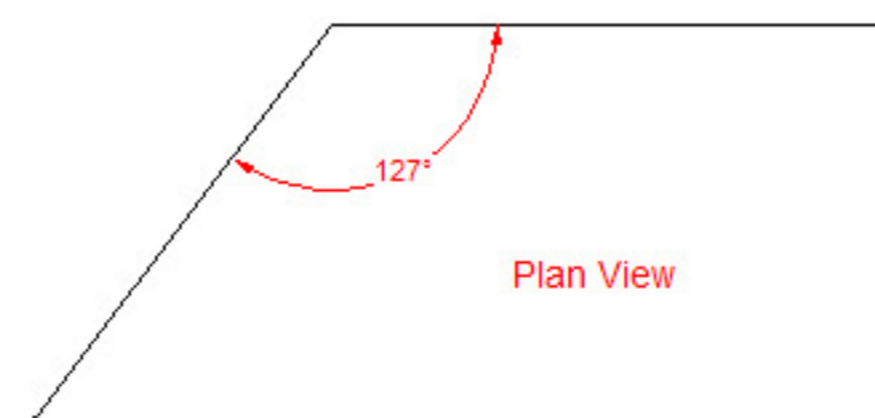
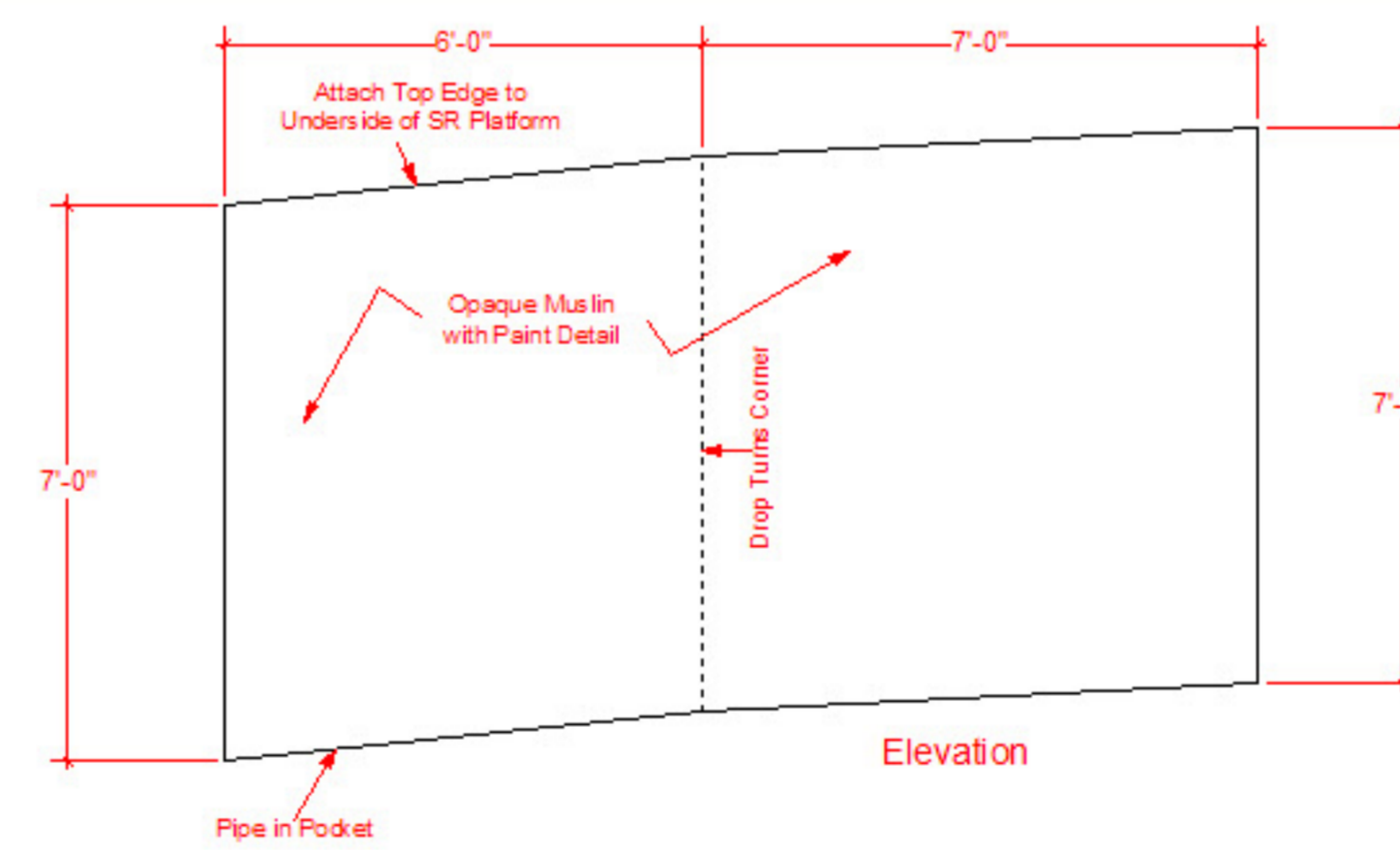


**ACT II GLOBE CHANDELIERS**  
(Build Three Total)

**SCALE: 1" = 1'-0"**

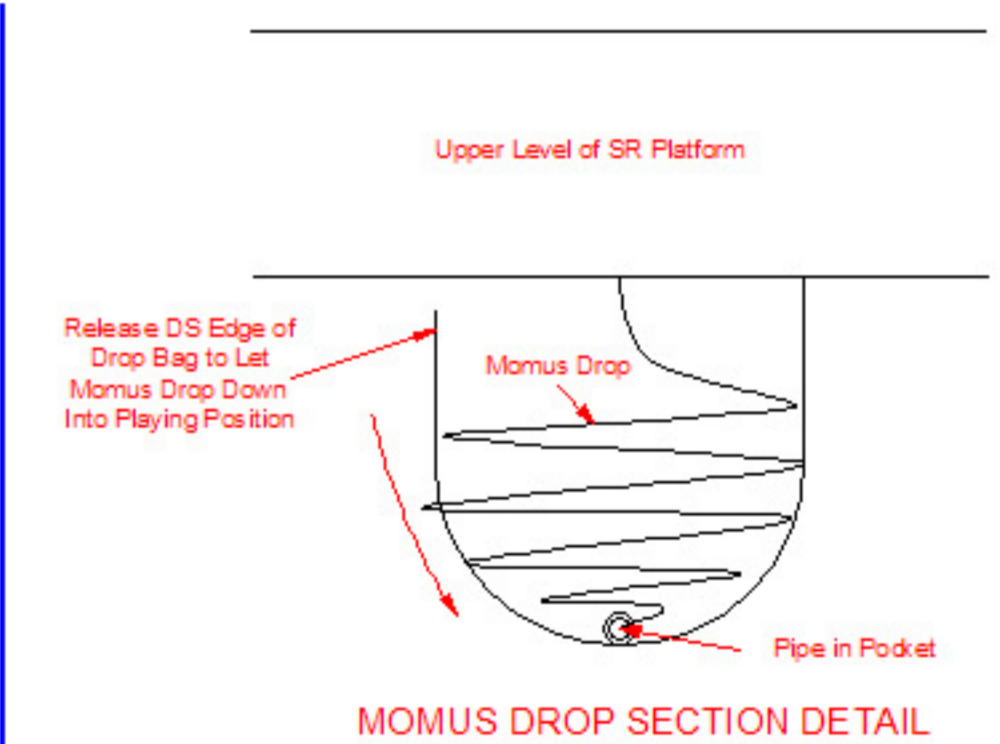


**ACT II DOME CHANDELIERS**  
(Build Two Total)



**ACT II MOMUS DROP**  
OPAQUE MUSLIN DROP WITH PAINT DETAIL

**Scale: 1/2" = 1'-0"**



**MOMUS DROP SECTION DETAIL**

**Scale: 3" = 1'-0"**

<b>LA BOHEME</b>		<b>8</b>
By Puccini		
For Haveli Opera Theatre - Bissell Concert Hall		
AS NOTED	CHIMNEYS & CHANDELIERS	of 9
DATE: Oct. 3, 2002		
REVISED: Nov. 10, 2002	Design by PETER DEAN BECK	